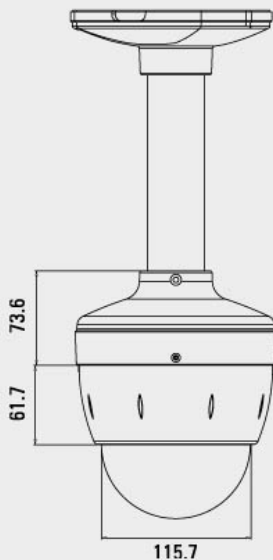
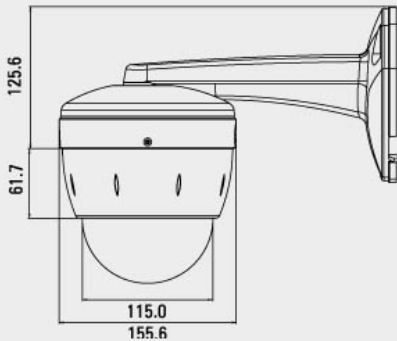


**SM1063N(P): 100x Indoor Speed Dome, 12VDC****SM1065N(P) : 100x Indoor Speed Dome, 24VDC****Features**

- 128 preset positions
- 100x Zoom (Optical 10x, Digital 10x)
- Pan rotation range endless 360°
- Tilt rotation range 0° to 90°
- Pan/Tilt maximum rotating speed is 360°/sec
- 1/4" SONY Super HAD CCD
- 500 TVL high resolution
- Electronic sensitivity-up (DSS)
- Auto focus, Auto parking functions
- Auto-Flip function
- Privacy masking function
- RS-485 protocol compatible

**DIMENSIONS**

- Wall mount

**Optional Accessories**

SWB1000 : Wall mount bracket



SPB1000 : Pendant mount bracket

| Model                           | CNB-SM1063N  | CNB-SM1063P          |
|---------------------------------|--|----------------------|
| Signal System                   | NTSC   | PAL                  |
| Scanning System                 | 2:1 Interlace  |                      |
| Scanning Freq. (H)              | 15.734 kHz   | 15.625kHz            |
| Scanning Freq. (V)              | 59.94Hz  | 50Hz                 |
| Sync. System                    | Internal / Line-Lock                                       |                      |
| Image Sensor                    | SONY 1/4" Super HAD Interline transfer CCD                 |                      |
| Effective Pixel No. (V)         | 768(H) x 494(V) 380K                                       | 752(H) x 582(V) 440K |
| H.Resolution                    | 500 TV Lines(Color), 570 TV Line(B/W)                      |                      |
| Min.Illumination                | 0.7Lux(Color), 0.005Lux(Color, Sense-up), 0.02Lux(B/W)     |                      |
| Day & Night Type                | Electronic sensitivity-up (DSS), ICR(AGC Type)             |                      |
| Video Output                    | 1.0Vp-p (75Ω, composite)                                   |                      |
| Video S/N Ratio                 | 50dB (AGC off, Weight On)                                  |                      |
| Communication                   | RS-485, Controllable up to 255 cameras simultaneously      |                      |
| Camera ID / Protocol            | 256 IDs/Pelco-D, Pelco-P selectable                        |                      |
| <b>Lens</b>                     |  |                      |
| Zoom Ratio                      | 100x Zoom (10x Optical Zoom, 10x Digital Zoom)             |                      |
| Focal Length                    | 3.8 (W)mm ~ 38.0 (T)mm                                     |                      |
| Apture Range                    | F1.6 (W) ~ F3.8 (T)  |                      |
| <b>Pan and Tilt</b>             |  |                      |
| Panning/Tilting Range           | Pan: 360° endless rotation; Tilt: 90°                      |                      |
| Panning/Tilting Speed           | Manual: 0.1° ~ 360°/sec (Zoom Proportional)                |                      |
| Panning/Tilting Accuracy        | ±0.25°   |                      |
| Preset                          | 128 position with Labels                                   |                      |
| Swing / Pattern / Group         | 8 Swings/4 Patterns(about 5min/Pattern)/8 groups(max. 20)  |                      |
| <b>Main Functions</b>           |  |                      |
| OSD Menu                        | ON/OFF (English)   |                      |
| Focus Control                   | Auto/Manual/Semi-Auto                                      |                      |
| Color / BW Switching            | Supplied   |                      |
| Day/Night                       | Auto/Day/Night(ICR)  |                      |
| Electronic Shutter              | 1/60~1/120,000sec  | 1/50~1/120,000sec    |
| Iris Control                    | Auto/Manual(F1.6~Colse 18 step)                            |                      |
| Gain Control                    | Normal/High/OFF Selectable                                 |                      |
| Brightness Control              | Adjustable (0~31)  |                      |
| White Balance                   | Auto/Manual(Red, Blue Gain Adjustable)                     |                      |
| BLC / Flickerless               | ON/OFF   |                      |
| Power-up Action                 | Resume the last action ececuted (Preset, Swing, Group)     |                      |
| Auto Parking / Flip             | ON/OFF; ON/OFF(rotates dome 180° at bottom of tilt travel) |                      |
| Privacy Zone                    | On/Off (8 Zone settings)                                   |                      |
| Alam I/O                        | 4 inputs, 2 outputs  |                      |
| Image Setup                     | Global / Local (setting WB & AE)                           |                      |
| <b>Electrical &amp; General</b> |  |                      |
| Power                           | DC 12V / Max. 3.5W   |                      |
| Dimensions (approx.)            | Φ115   |                      |
| Weight (net)                    | Approx. 805.5g (without optional accessories)              |                      |

| Model                           | CNB-SM1065N  | CNB-SM1065P          |
|---------------------------------|--|----------------------|
| Signal System                   | NTSC   | PAL                  |
| Scanning System                 | 2:1 Interlace  |                      |
| Scanning Freq. (H)              | 15.734 kHz   | 15.625kHz            |
| Scanning Freq. (V)              | 59.94Hz  | 50Hz                 |
| Sync. System                    | Internal / Line-Lock                                       |                      |
| Image Sensor                    | SONY 1/4" Super HAD Interline transfer CCD                 |                      |
| Effective Pixel No. (V)         | 768(H) x 494(V) 380K                                       | 752(H) x 582(V) 440K |
| H.Resolution                    | 500 TV Lines(Color), 570 TV Line(B/W)                      |                      |
| Min.Illumination                | 0.7Lux(Color), 0.005Lux(Color, Sense-up), 0.02Lux(B/W)     |                      |
| Day & Night Type                | Electronic sensitivity-up (DSS), ICR(AGC Type)             |                      |
| Video Output                    | 1.0Vp-p (75Ω, composite)                                   |                      |
| Video S/N Ratio                 | 50dB (AGC off, Weight On)                                  |                      |
| Communication                   | RS-485, Controllable up to 255 cameras simultaneously      |                      |
| Camera ID / Protocol            | 256 IDs/Pelco-D, Pelco-P selectable                        |                      |
| <b>Lens</b>                     |  |                      |
| Zoom Ratio                      | 100x Zoom (10x Optical Zoom, 10x Digital Zoom)             |                      |
| Focal Length                    | 3.8 (W)mm ~ 38.0 (T)mm                                     |                      |
| Apture Range                    | F1.6 (W) ~ F3.8 (T)  |                      |
| <b>Pan and Tilt</b>             |  |                      |
| Panning/Tilting Range           | Pan: 360° endless rotation; Tilt: 90°                      |                      |
| Panning/Tilting Speed           | Manual: 0.1° ~ 360°/sec (Zoom Proportional)                |                      |
| Panning/Tilting Accuracy        | ±0.25°   |                      |
| Preset                          | 128 position with Labels                                   |                      |
| Swing / Pattern / Group         | 8 Swings/4 Patterns(about 5min/Pattern)/8 groups(max. 20)  |                      |
| <b>Main Functions</b>           |  |                      |
| OSD Menu                        | ON/OFF (English)   |                      |
| Focus Control                   | Auto/Manual/Semi-Auto                                      |                      |
| Color / BW Switching            | Supplied   |                      |
| Day/Night                       | Auto/Day/Night(ICR)  |                      |
| Electronic Shutter              | 1/60~1/120,000sec  | 1/50~1/120,000sec    |
| Iris Control                    | Auto/Manual(F1.6~Colse 18 step)                            |                      |
| Gain Control                    | Normal/High/OFF Selectable                                 |                      |
| Brightness Control              | Adjustable (0~31)  |                      |
| White Balance                   | Auto/Manual(Red, Blue Gain Adjustable)                     |                      |
| BLC / Flickerless               | ON/OFF   |                      |
| Power-up Action                 | Resume the last action ececuted (Preset, Swing, Group)     |                      |
| Auto Parking / Flip             | ON/OFF; ON/OFF(rotates dome 180° at bottom of tilt travel) |                      |
| Privacy Zone                    | On/Off (8 Zone settings)                                   |                      |
| Alam I/O                        | 4 inputs, 2 outputs  |                      |
| Image Setup                     | Global / Local (setting WB & AE)                           |                      |
| <b>Electrical &amp; General</b> |  |                      |
| Power                           | AC 24V / Max. 3.5W   |                      |
| Dimensions (approx.)            | Φ115   |                      |
| Weight (net)                    | Approx. 805.5g (without optional accessories)              |                      |