

GN705IR

Features



- 480 TV Lines
- Day (0.3 Lux), IR On (0.0 Lux)
- 8 LED Up To 20 FT
- Built-in DC Iris Vari-focal Lens (f=4-9mm)
- Auto Gain Control (AGC)
- Back Light Compensation (BLC)
- 3x Digital Zoom
- Dual Voltage

Specification

DIMENSIONS

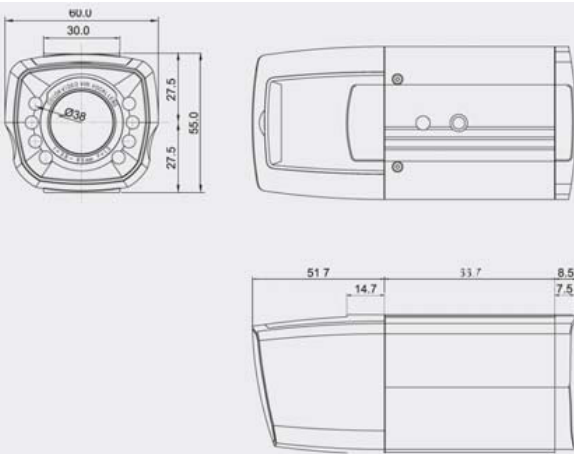


Image Sensor	1/3" Sony Super HAD CCD
Effective Pixels Number	768(H) x 494(V) 380K Pixels
Resolution	480 TV Lines
Sensitivity	Day (0.3 Lux), IR On (0.0 Lux)
Scanning Area	4.9(H) x 3.7(V)mm
Scanning System	2:1 Interlaced NTSC Standard
Lens	4~9mm Auto Iris Varifocal Lens
IR LED & Sensor	8EA IR LED, 1EA Sensor
IR LED Range	Visible Up To 20 Feet
Electronic Iris	1/60 ~ 100,000 sec
AGC	On/Off Selectable
BLC Function	On/Off Selectable
White Balance	Auto
S/N Ratio	More Than 48dB
Dimension	2.5"(W) x 2.25"(H) x 4.5"(L)
Power Source	Dual Voltage
Power Consumption	1.5 Amp Recommended
Operating Temperature	Temp. 44°F ~ 104°F
Weight	Approx. 1 lbs