

# GN765



## Features

- 380 TV Lines
- Min. Illumination: 0.1 Lux
- Built-in DC Iris Vari-focal Lens (f=4~9mm)
- Auto White Balance (AWB)
- Auto Gain Control (AGC)
- Back Light Compensation (BLC)
- DC Iris Level Control
- Dual Voltage

## Specification

### DIMENSIONS

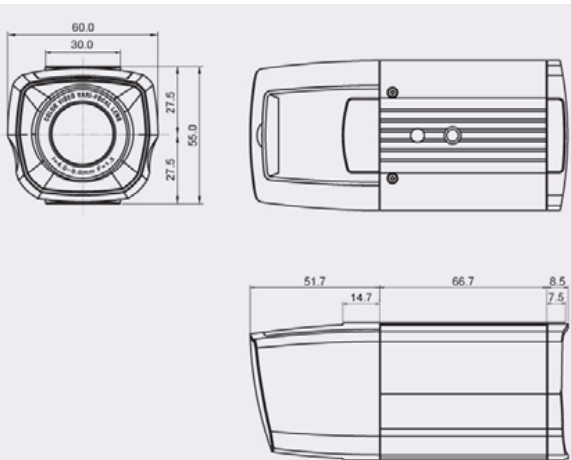


Image Sensor	1/3" Sony Super HAD CCD
Effective Pixels Number	510(H) x 492(V) 250K Pixels
Resolution	380 TV Lines
Sensitivity	Min. Illumination: 0.1 Lux
Scanning Area	4.9(H) x 3.7(V)mm
Scanning System	2:1 Interlaced NTSC Standard
Lens	4~9 Auto Iris Varifocal Lens
Iris	Video / ELC / DC Iris Selectable
Sync System	Internal
Electronic Iris	1/60 ~ 100,000 sec
AGC	On / Off Selectable
BLC Function	On / Off Selectable
White Balance	Auto
S/N Ratio	More Than 48dB
Dimension	2.5"(W) x 2.25"(H) x 5"(L)
Power Source	Dual Voltage
Power Consumption	500mA Recommended
Operating Temperature	Temp. 44°F ~ 104°F
Weight	Approx. 1 lbs