

# G1815NF



## Features

- 550 TV Lines
- Day (0.3 Lux), Night (0.008 Lux)
- Day & Night (ICR, DSS)
- Super Digital Noise Reduction (SDNR)
- Auto Gain Control (AGC)
- Flickerless (On/Off)
- DC Iris Level Control
- Dual Voltage

## Specification

### DIMENSIONS

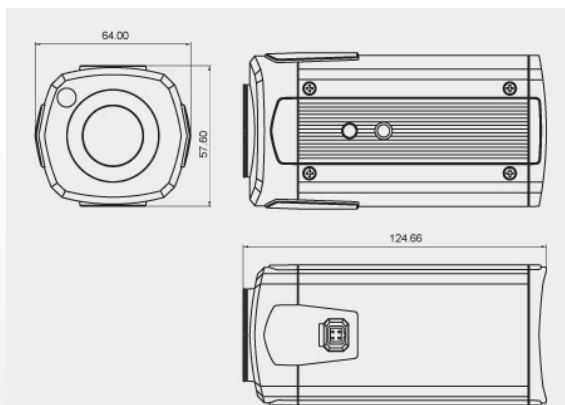


Image Sensor	1/3" Sony Super HAD CCD
Effective Pixels Number	768(H) x 494(V) 380K Pixels
Resolution	550 TV Lines
Sensitivity	Day (0.3 Lux), DSS On (0.008 Lux)
Scanning Area	4.9(H) x 3.7(V)mm
Scanning System	2:1 Interlaced NTSC Standard
Lens Mount	C/CS Mount
Iris	Video / ELC / DC Iris Selectable
Sync System	Internal
Electronic Iris	1/60 ~ 100,000 sec
AGC	On / Off Selectable
BLC Function	On / Off Selectable
White Balance	Auto
S/N Ratio	More Than 48dB
Dimension	2.5" (W) x 2.25" (H) x 5" (L) (without lens)
Power Source	Dual Voltage
Power Consumption	500mA Recommended
Operating Temperature	Temp. 44°F ~ 104°F
Weight	Approx. 1 lbs